

## Harvard/Instech Precision Disposable Swivels

Introducing the first plastic swivel worthy of the Harvard/Instech names. This single-channel swivel has been designed for researchers that require components touching the fluid path to be replaced after each experiment.

- Single use, low cost, precision swivels
- Meets Harvard Apparatus' and Instech's strict quality standards
- Available in 2 sizes: 22 gauge or 20 gauge

Autoclavable (Once)

Unlike the Harvard/Instech stainless steel swivels, which carry a lifetime warranty and can stand up to hundreds of autoclavings, these swivels are meant to be autoclaved once, used, and then thrown away. Repeated autoclavings will weaken the adhesive.

Harvard/Instech Quality on the Inside

While we have used a polysulfone plastic body in order to reduce the price, we have made no compromises in terms of functionality. In fact, the critical internal components (the Teflon seal, the stainless steel seal cup, and the stainless steel spring) are common between these and our stainless steel swivels. As a result, these swivels feature our unique self-adjusting seals, which do not loosen with use (thereby preventing leaks) and have low rotational friction.

As with all Harvard/Instech swivels, fluids traveling through them touch only stainless steel hypodermic tubing and a Teflon seal. Internal dead volumes in these swivels are even lower than in our stainless steel swivels.

Standard Configurations

These disposable swivels are available in single-channel models only with either 22 or 20 gauge tubing. The 22 gauge swivel is most commonly used with rats because it mates with standard PE50 catheter tubing. Use the 20 gauge version when working with more viscous solutions, or at higher flow rates. The 20 gauge swivel is ideal for use with rabbits and other animals of a similar size. We do not recommend using either of the disposable plastic swivels with mice.

These swivels are compatible with all standard Harvard/Instech tethers. We recommend using Universal Swivel-to-Tether Clamp when working with spring tethers. Although the clamps are standard with our stainless steel swivels, they are not included with the plastic swivels since the clamp is not disposable. These swivels are also compatible with our wide range of cage mounts.

These swivels are supplied in packages of five. See ordering chart to the right.



Single Channel Precision Disposable Swivel shown with Universal Swivel-to-Tether Clamp (sold separately)

### Precision Disposable Swivels, pkg of 5

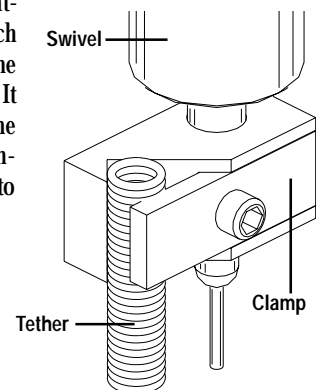
Applications	20 Gauge	22 Gauge
Standard Infusion of Rats		●
Blood Pressure Measurement, Rapid Infusions, IV Feeding	●	

### Specifications

Inlet and Outlet Tube Gauge	20	22
Compatible Tubing	PE90	PE50
Channel ID	0.023 in	0.016 in
Internal Dead Volume	12 $\mu$ l	6 $\mu$ l
Size, Diameter x Length	0.375 x 1.69 in	0.375 x 1.69 in
Catalog No.	CGS8015.21	CGS8016.21

### Universal Swivel-to-Tether Clamp

This Clamp provides an offset attachment of the spring tether which effectively transmits torque from the animal's movements to the swivel. It fastens to the rotating portion of the swivel. A V-block mount accommodates spring tethers from 0.08 to 0.2 inch OD.



Catalog No.	Product
CGS8017.64	Universal Swivel-to-Tether Clamp, pkg. of 5