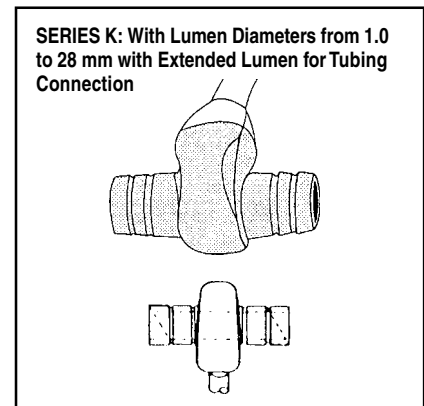
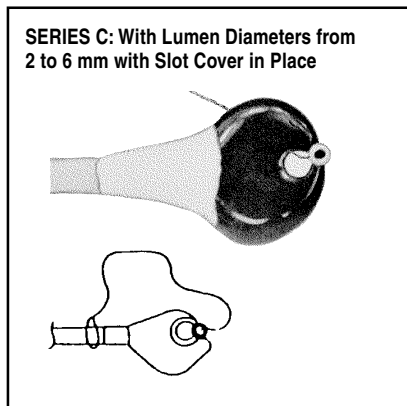


Electromagnetic Flow Probes for PLUGSYS Module EFM



Electromagnetic Flow Probes Perivascular Series C

- For intact vessels acute or chronic
- Lumen diameters from 0.5 to 30 mm

These universal type probes are for use with intact vessels. The smallest probes with diameters less than 2.0 mm have no slot closure. Probes with diameters from 2.0 to 6.0 mm have a round 'snap-in' closure for the lumen. The larger size diameter probes from 7.0 to 30.0 mm have a contoured 'snap-in' slot cover. All probes are supplied with a 45 cm (17.7 in) cable and acute connectors. Other configurations available by special order.

Electromagnetic Flow Probes Cannulated Series K

- For use with:
 - Isolated organs
 - Extracorporeal blood flow measurements
- Lumen diameter from 1.0 to 28.0 mm

These probes are for flow-through type measurements in tubing. There is no opening in the probe. The tubing must be installed on the extensions of the probe. All probes are supplied with a 45 cm (17.7 in) cable and acute connectors. Other configurations available by special order.

Electromagnetic Flow Probes		
Lumen Diameter (mm)	Perivascular Series C	Cannulated Series K
0.5	CGS8372.72	—
0.7	CGS8373.72	—
0.8	CGS8374.72	—
1.0	CGS8375.72	CGS8400.72
1.2	CGS8376.72	—
1.5	CGS8377.72	CGS8401.72
2.0	CGS8378.72	CGS8402.72
2.5	CGS8379.72	CGS8403.72
3.0	CGS8380.72	CGS8404.72
3.5	CGS8381.72	CGS8405.72
4.0	CGS8382.72	CGS8406.72
4.5	CGS8383.72	CGS8407.72
5.0	CGS8384.72	CGS8408.72
6.0	CGS8385.72	CGS8409.72
7.0	CGS8386.72	CGS8410.72
8.0	CGS8387.72	CGS8411.72
9.0	CGS8388.72	CGS8412.72
10.0	CGS8389.72	CGS8413.72
12.0	CGS8390.72	CGS8414.72
14.0	CGS8391.72	CGS8415.72
16.0	CGS8392.72	CGS8416.72
18.0	CGS8393.72	CGS8417.72
20.0	CGS8394.72	CGS8418.72
22.0	CGS8395.72	CGS8419.72
24.0	CGS8396.72	CGS8420.72
26.0	CGS8397.72	CGS8421.72
28.0	CGS8398.72	CGS8422.72
30.0	CGS8399.72	—