

Benchtop Darkroom Cabinets



Benchtop Darkroom

The Benchtop Darkroom is a convenient compact laboratory darkroom. It permits viewing of gels right at the laboratory bench by simply placing the unit over any standard transilluminator. An optional adapter connects directly to the DS-34 or MP-4 camera for photography, eliminating the need for a separate darkroom.

- Removable bottom panel
- Built-in UV absorbing window
- Optional camera adapters
- Chemical-resistant paint
- Optional internal white light
- Magnetically-held access curtains

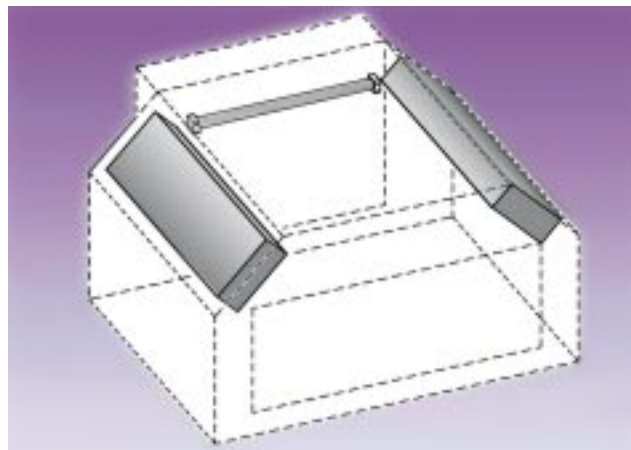
A special viewing filter absorbs UV energy and eliminates blue haze for safe, fatigue-free viewing. A large magnetically-held curtain provides easy access.

Optional incident lighting allows the darkroom cabinet to be used for viewing and photographing research samples using incident illumination. Choose white light for blots, membranes, and other opaque media, or use UV to view TLC and microtiter plates. Many UV wavelength combinations are available, see right.

The extended life UV transmitting filter glass is standard with all short wave and mid-range UV tubes, assuring higher UV intensity for thousands of hours of use.

The unit measures, H x W x D, 18 x 47 x 37 cm (7 x 18.5 x 14.5 in). It has an opening that measures 14 x 38 cm (5.5 x 15 in).

Catalog No.	Product
CGS 8377.76	Darkroom Cabinet



Incident Lighting for Benchtop Darkroom

This optional incident lighting provides four 8 watt lamps for high-intensity illumination and white light. It mounts on the back of dark room cabinet for setup. Lamps are mounted two-to-a-side, and the housings are tilted to provide even illumination of the cabinet floor. Available in white light, any UV wavelength, or any combination of two UV wavelengths.

- Provides four 8 watt lamps for high-intensity illumination
- Available in white light, any UV wavelength, or any combination of two UV wavelengths

Darkroom Incident Lighting for Benchtop Darkrooms

Product	Catalog No.	
	115 VAC, 60 Hz	230 VAC, 60 Hz
White Light (4 x 8 watt lamps)	CGS-8378.76	CGS-8385.76
UV AC (2 x 365 nm and 2 x 254 nm lamps)	CGS-8379.76	CGS-8386.76
UV BC (2 x 300 nm and 2 x 254 nm lamps)	CGS-8380.76	CGS-8387.76
UV AB (2 x 365 nm and 2 x 300 nm lamps)	CGS-8381.76	CGS-8388.76
UV AA (4 x 365 nm lamps)	CGS-8382.76	CGS-8389.76
UV BB (4 x 300 nm lamps)	CGS-8383.76	CGS-8390.76
UV CC (4 x 254 nm lamps)	CGS-8384.76	CGS-8391.76

Catalog No.	Product
CGS 8392.76	6 Watt Cool White Light Option, 115 VAC, 60 Hz
CGS 8393.76	6 Watt Cool White Light Option, 230 VAC, 50 Hz
CGS 8394.76	6 Watt Cool White Light Replacement Tube
CGS 8395.76	Polaroid DS-34 Camera Adapter
CGS 8396.76	Polaroid MP-4 Camera Adapter
CGS 8397.76	UV Replacement Tube, 8 Watt 365nm
CGS 8398.76	UV Replacement Tube, 8 Watt 300nm
CGS 8399.76	UV Replacement Tube, 8 Watt 254nm