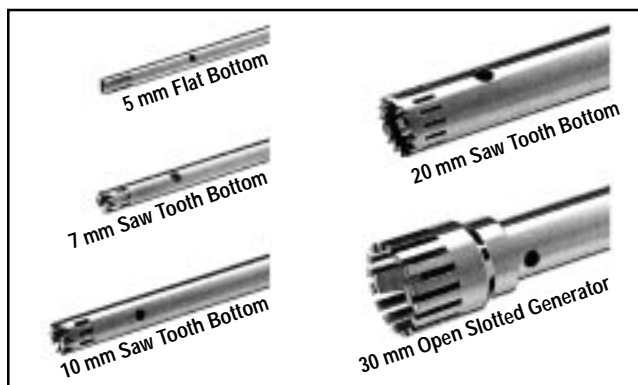


Generators, Blades and Chambers



PRO QUICK CONNECT® Rotor Stator Generators

All PRO generators are engineered for durability and multiple applications. They are manufactured from a high-quality 300 Series stainless steel and can be completely sterilized by hot air, autoclaving, flaming or chemical process.

All generators feature the PRO QUICK CONNECT design, which allows for the changing of generators with an easy quarter-turn. This makes generator disassembly quick and easy for cleaning as well as for maintenance. They also feature a foam-reducing design which limits the amount of air introduced into the sample during homogenization.

- 300 series stainless steel construction for long life
- Quick and easy generator changes
- Foam reducing design limits air introduction to sample

Generators			For Use With			
Catalog No.	Size (D x L)	Treatable Volume	PRO 200	PRO 250	PRO 260	PRO 300
CGS 8299.41	5 x 75 mm	0.03 to 5 ml	●	●	●	●
CGS 8298.41	5 x 150 mm	0.03 to 5 ml	●	●	●	●
CGS 8297.41	7 x 75 mm	0.1 to 10 ml	●	●	●	●
CGS 8296.41	7 x 95 mm	0.1 to 10 ml	●	●	●	●
CGS 8295.41	7 x 120 mm	0.1 to 10 ml	●	●	●	●
CGS 8294.41	7 x 150 mm	0.1 to 10 ml	●	●	●	●
CGS 8293.41	10 x 105 mm	1.5 to 100 ml	●	●	●	●
CGS 8292.41	10 x 115 mm	1.5 to 100 ml	●	●	●	●
CGS 8291.41	10 x 150 mm	1.5 to 100 ml	●	●	●	●
CGS 8290.41	20 x 115 mm	5 ml to 2 L	●	●	●	●
CGS 8289.41	20 x 150 mm	5 ml to 2 L	●	●	●	●
CGS 8288.41	20 x 200 mm	5 ml to 2 L	●	●	●	●
CGS 8287.41	30 x 115 mm	5 ml to 2 L		●	●	●
CGS 8286.41	30 x 150 mm	5 ml to 2 L		●	●	●
CGS 8285.41	30 x 200 mm	5 ml to 2 L		●	●	●

Catalog No.	Product
CGS 8283.41	B1 Homogenizer Blade, 1 inch diameter
CGS 8282.41	B2 Homogenizer Blade, 2 inch diameter



PRO SAFETY SEAL® Chamber Assemblies

By far the safest method of homogenizing with either a blade or generator, PRO SAFETY SEAL® Chamber Assemblies do not allow operation with the blade exposed.

In addition, the sealing mechanism protects the operator from hazardous aerosols generated during processing and protects the sample from contaminants.

- Safest method of homogenizing
- Stainless steel or glass

Pro Safety Seal Chamber Assemblies			For Use With				Blade/ Generator
Catalog No.	Chamber Size	Treatable Volume	PRO 200	PRO 250	PRO 260	PRO 300	
Sealed Tube							
CGS 8281.41	5 ml	0.2 to 3 ml	●	●	●	●	G
CGS 8280.41	16 ml	0.5 to 11 ml	●	●	●	●	G
CGS 8279.41	19 ml	0.5 to 13 ml	●	●	●	●	G
CGS 8278.41	50 ml	5 to 40 ml	●	●	●	●	G
Stainless Steel							
CGS 8277.41	70 ml	10 to 65 ml	●	●	●	●	B1
CGS 8276.41	600 ml	40 to 500 ml		●	●	●	B2
CGS 8275.41	70 ml	10 to 65 ml	●	●	●	●	G
CGS 8274.41	600 ml	40 to 500 ml		●	●	●	G
CGS 8273.41	600 ml	40 to 500 ml		●	●	●	G
CGS 8272.41	1.2 L	100 to 1 L				●	G
Glass							
CGS 8271.41	473 ml	50 to 450 ml		●	●	●	B2
CGS 8270.41	946 ml	100 to 800 ml		●	●	●	B2
CGS 8269.41	473 ml	30 to 450 ml		●	●	●	G
CGS 8268.41	473 ml	30 to 450 ml		●	●	●	G
CGS 8267.41	946 ml	50 to 800 ml		●	●	●	G
CGS 8266.41	946 ml	50 to 800 ml		●	●	●	G